

TATA MOTORS
Inspired by People



PLAY  STRONG



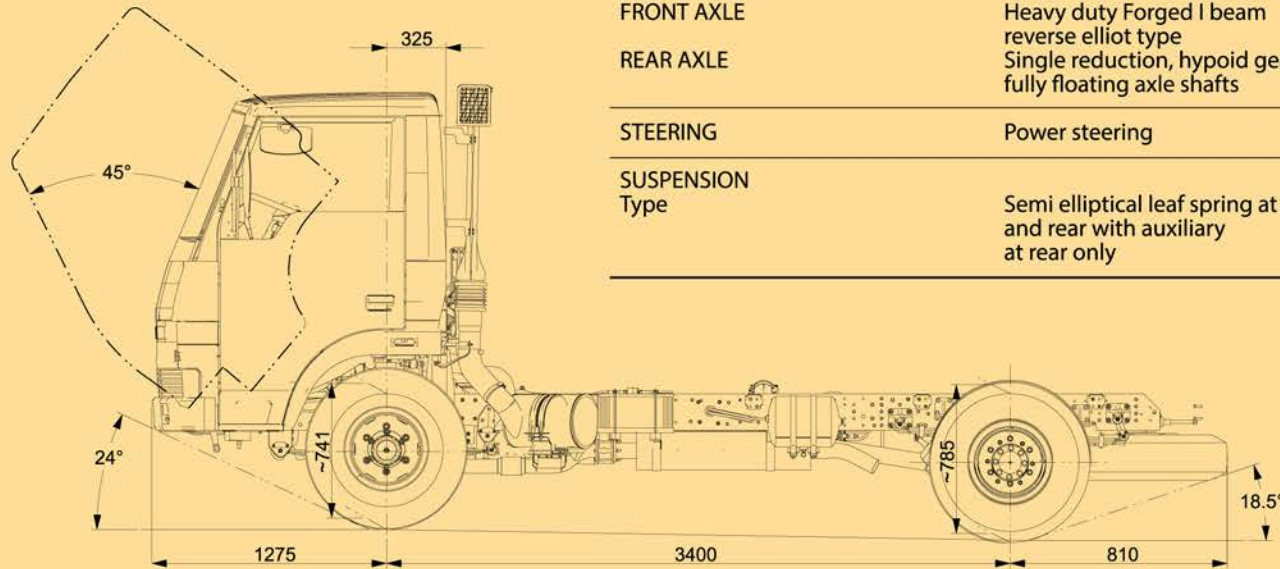
LPT 913
Light Truck

LPT 913 Light Truck

Spesification

ENGINE Model	TATA 697 TC/IC EURO-II, 5675 cc
No. of Cylinders	6 inline
Max. Engine Output	130 PS@ 2400 rpm
Max. Torque	363 Nm @ 1800 rpm
CLUTCH	310 mm (Dia)
GEAR BOX No. of Gears	GBS – 40 synchromesh 5 F + 1 R
Gear Ratio	1st – 7.51, 2nd – 3.99, 3rd – 2.5, 4th – 1.51, 5th – 1, Rev – 6.93
Final Gear Ratio	4.125
FRONT AXLE	Heavy duty Forged I beam reverse elliot type
REAR AXLE	Single reduction, hypoid gear, fully floating axle shafts
STEERING	Power steering
SUSPENSION Type	Semi elliptical leaf spring at front and rear with auxiliary at rear only

Shock Absorber	Hydraulic double acting telescopic type at front and rear
BRAKES Service Brake	Dual circuit full air S-CAM brake
Parking Brake	Spring actuated parking brake acting on rear wheels
Engine Exhaust Brake	Coupled with sevice brake
WHEELS AND TYRES Tyres	8.25 R 16-16 PR
Wheel Rims	6.00 G x 16 SDC
No of Wheels	Front – 2 Rear – 4 Spare – 1
FUEL TANK Capacity	120 Liters
CAB	Full Forward tilt cabin
CHASSIS DIMENSION (MM) Wheel Base	3400
Overall Length	6210
Max. Width	2140
Max. Height (unladen)	2341
Front Overhang	1275
PERFORMANCE Max. Gradeability in 1st Gear (with Standard gear box & rear axle)	37%
Max Geared Speed in Top Gear (with standard rear axle)	90 kmph
Minimum Turning Circle in m	12.3
WEIGHT (KGS) Max. Permissible FAW	3000
Max. Permissible RAW	6000
Max. Permissible GVW	9000



PT TATA Motors Distribusi Indonesia

Pondok Indah Office Tower 3, Floor 8 - Suite 801A, Jl. Sultan Iskandar Muda Kav. V - TA, Pondok Pinang - Jakarta Selatan 12310
Tel. +62-21-2932 8041/43, Fax. +62-21-2932 8042, Email : info@tatamotors.co.id

* Aksesoris dan poin peralatan opsional yang tertera pada ilustrasi dan fotografi bisa berbeda dengan spesifikasi standar.
Warna kendaraan tergantung pada proses cetak dan bisa berbeda dengan gambar.
Spesifikasi yang tertera bisa berubah sewaktu - waktu, tanpa pemberitahuan terlebih dahulu, tergantung kebijakan perusahaan dan pengembangan berkelanjutan.

CALL TATA MOTORS (TOLL-FREE): 0-800-1-828200 UNTUK INFORMASI

Authorized Dealer: